



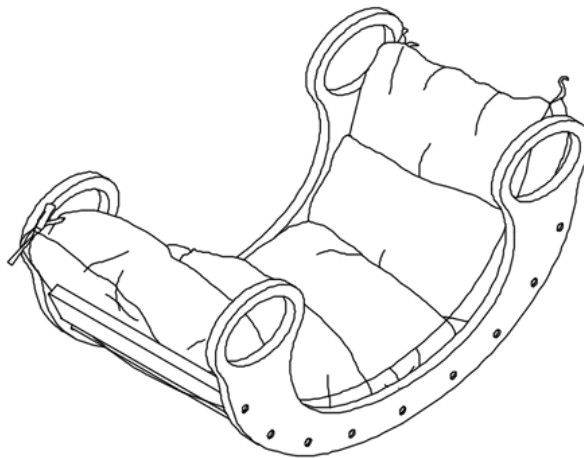
Rocking Arch & Cushion

Model : LM-K12B

Safety standard : EN 71-1:2014

EN 71-2:2020

EN 71-3:2019



Against The Grain Childrens Furniture LTD
3/16 Gateway Park Drive, Pokeno, WKO, 2402,

New Zealand

support@againstthegrain.nz

www.againstthegrain.nz

IMPORTANT:

PLEASE READ INSTRUCTIONS CAREFULLY AND KEEP FOR FUTURE REFERENCE.

IMPORTANT : SAFETY INSTRUCTIONS

Adult Assembly Required:

This product must be assembled by an adult.

Contains small parts which may present a choking hazard if swallowed.

Maximum Weight Limit: The Rocking Arch is designed to support a maximum weight of 40 kg. Do not exceed this limit. For use by one child at a time only.

This product is intended for indoor use only. Do not use outdoors.

Always Use Under Supervision: The Rocking Arch must only be used under the supervision of a responsible adult.

Never Leave Child Unattended: Never leave a child alone or unsupervised while using the Rocking Arch.

Pinch Point Warning: Keep hands, fingers, and feet clear of the edges and floor while the Rocking Arch is in motion. Pinch points may occur when the product is rocking.

Cushion Safety Warning: The cushion is removable. When not in use, keep the cushion out of reach of young children. Leaving a small child unattended with the cushion may pose a suffocation hazard.

Keep Away from Hot Surfaces: Do not place or use the Rocking Arch near stoves, ovens, heaters, fireplaces, or any other heat sources.

Product & Assembly Information

- Assembly is required. Do not use power tools, as they may damage components or hardware.
- The most common assembly mistakes include using the wrong hardware or installing components back to front.
- Always assemble the product on a soft surface (such as carpet or cardboard) to prevent scratching or damage.
- Periodically check and re-tighten all fasteners as part of regular maintenance.
- If you experience any difficulties during assembly, or if any hardware or components are missing, please contact us.

Care Instructions




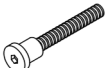

Rocking Arch

- Avoid prolonged exposure to direct sunlight and moisture.
- Wipe clean with a soft, damp cloth and dry immediately.

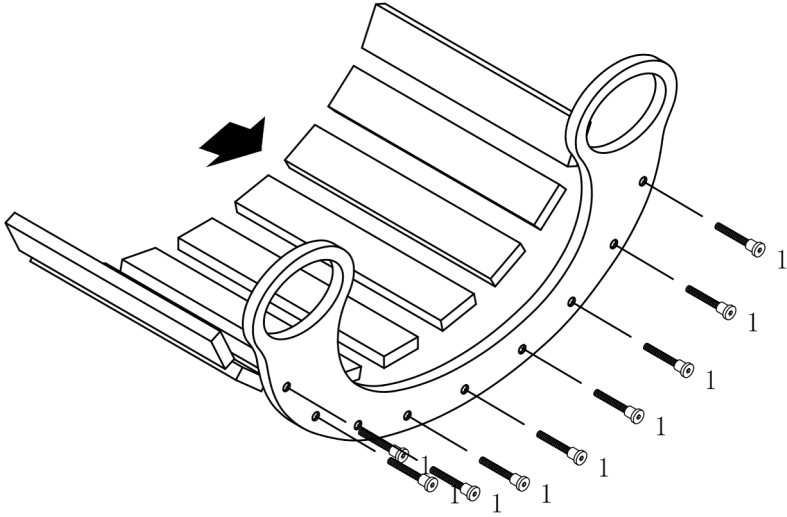
Cushion

- For surface stains, gently clean using a soft brush and mild soap.
- For deeper cleaning, place the cushion in a laundry bag and wash in the washing machine on a gentle cycle with cold water.
- Allow to air dry completely before reuse.

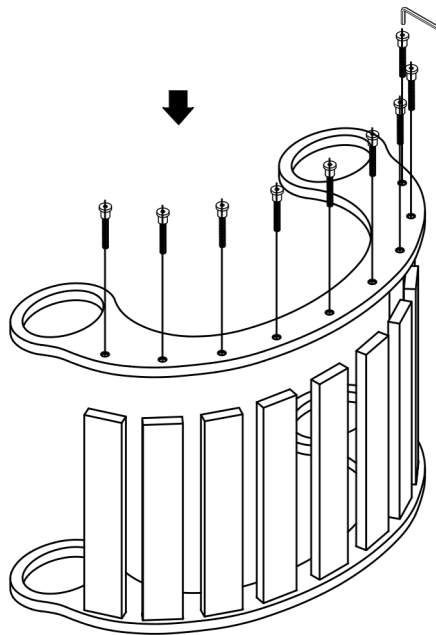
All the parts as below:

A [#] 	B [#] 	C [#] 
2 PCS	9 PCS	1 PC
1 [#] 	2 [#] 	
20 PCS	1 PC	

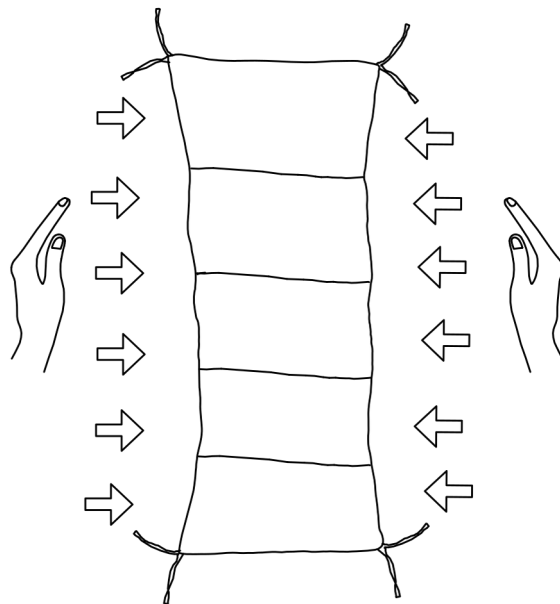
1



2

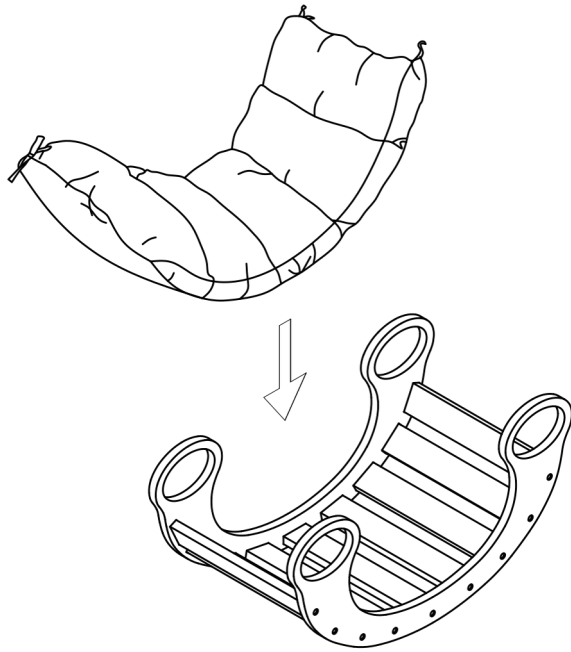


3



After receiving the goods, please shake them several times. Make sure to let them stand for 3-4 hours. If possible, expose them to the sun for a while. This can activate the compressed fillings and ensure that they can return to their original factory condition within 24 hours.

4



5

