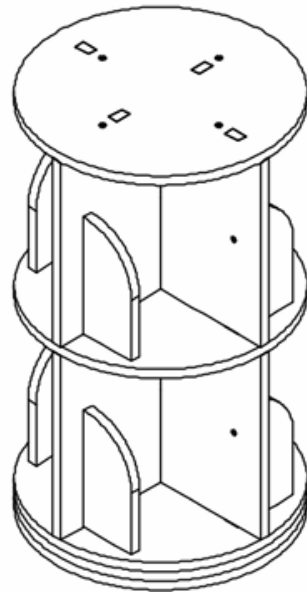




# Rotating Bookshelf 66cm

---

Model : LM-K18C



**Against The Grain Childrens Furniture LTD**  
**3/16 Gateway Park Drive, Pokeno, WKO, 2402,**  
**New Zealand**  
**support@againstthegrain.nz**  
**www.againstthegrain.nz**

**IMPORTANT:**  
**PLEASE READ INSTRUCTIONS CAREFULLY AND KEEP FOR FUTURE**  
**REFERENCE.**

## **Important: Safety Information**

### **Adult Assembly Required:**

This product must be assembled by an adult.

**Not a Toy:** This product is furniture and is not intended for play. Do not allow children to climb, sit, or stand on the bookshelf.

**Placement:** Place the rotating bookshelf on a stable, level surface. Ensure it is positioned away from high-traffic areas to reduce the risk of tipping.



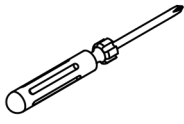
## **Product & Assembly Information**

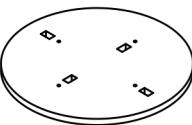
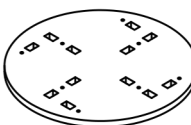
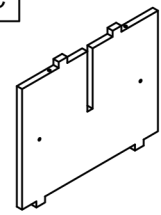
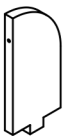
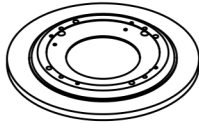
- The rotating bookshelf is 66 cm high.
- Assembly is required. Do not use power tools, as they may damage components or hardware if used incorrectly.
- The most common assembly mistakes include using the wrong hardware or installing components incorrectly.
- Always assemble the product on a soft surface (such as carpet or cardboard) to avoid scratching or damage.
- Periodically check and re-tighten all fasteners as part of normal maintenance.
- If you experience any difficulties during assembly, or if any hardware or components are missing, please contact us.

## **Care Instructions**

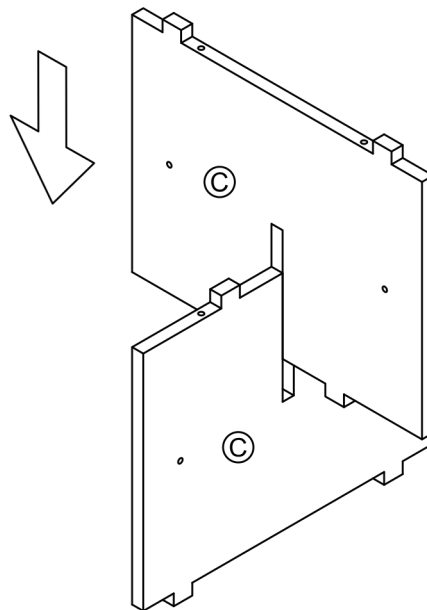
- Wipe clean with a soft, damp cloth and dry immediately.
- Avoid prolonged exposure to moisture and direct sunlight.

All the parts as below:

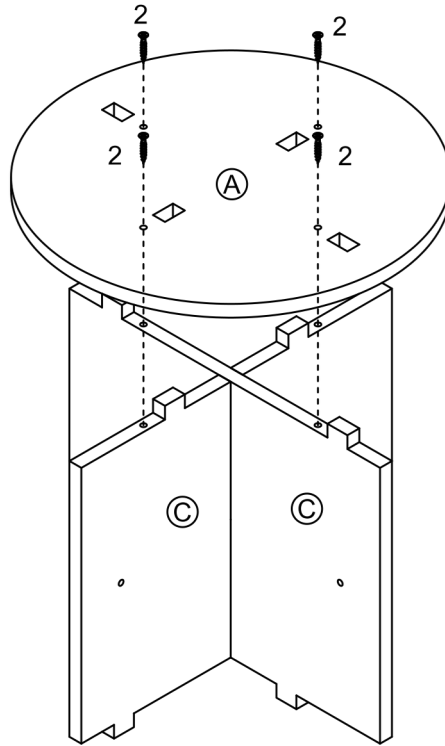
1#	2#	3#
		
4*12mm	4*30mm	
5PCS	32PCS	1PCS

A	B	C	D	E
				
1PCS	2PCS	4PCS	8PCS	1PCS

1

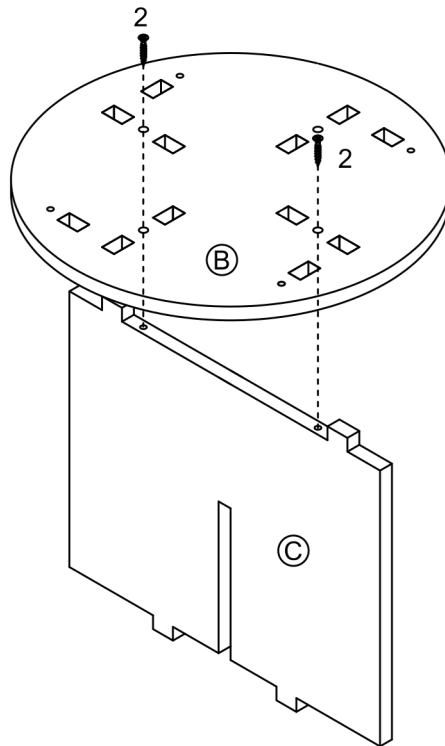


2



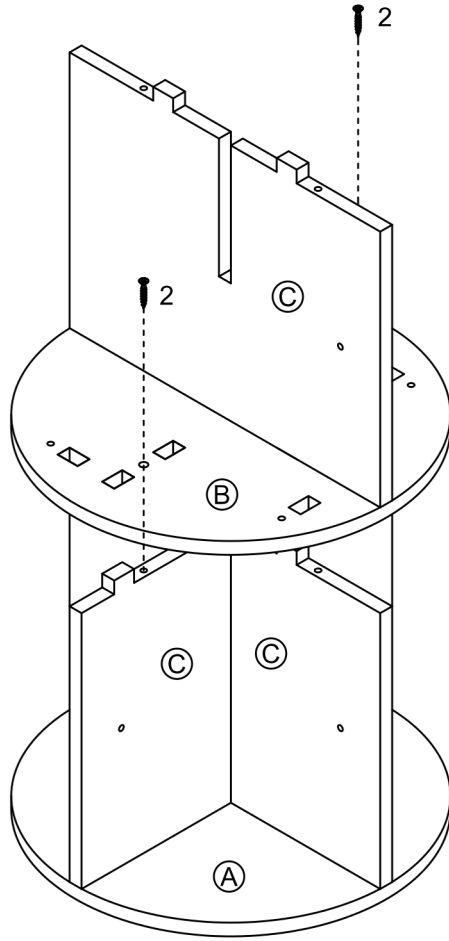
2x4pcs

3



2x2pcs

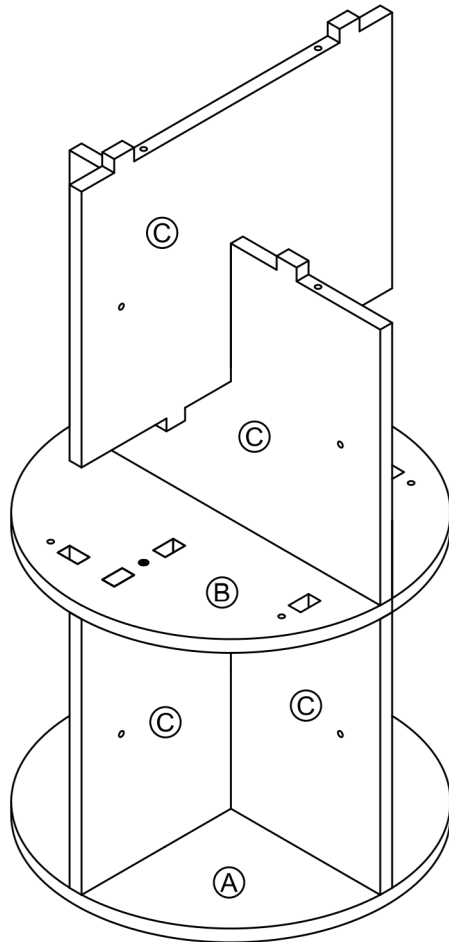
4



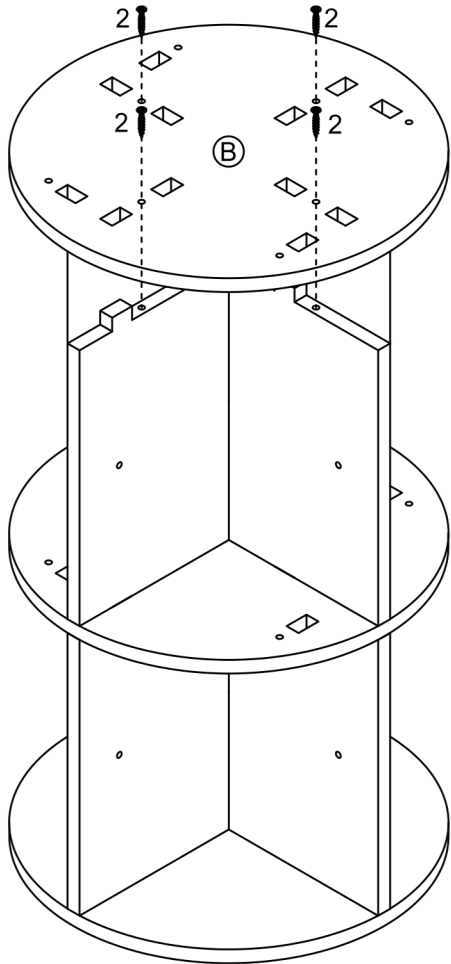
2x2pcs



5

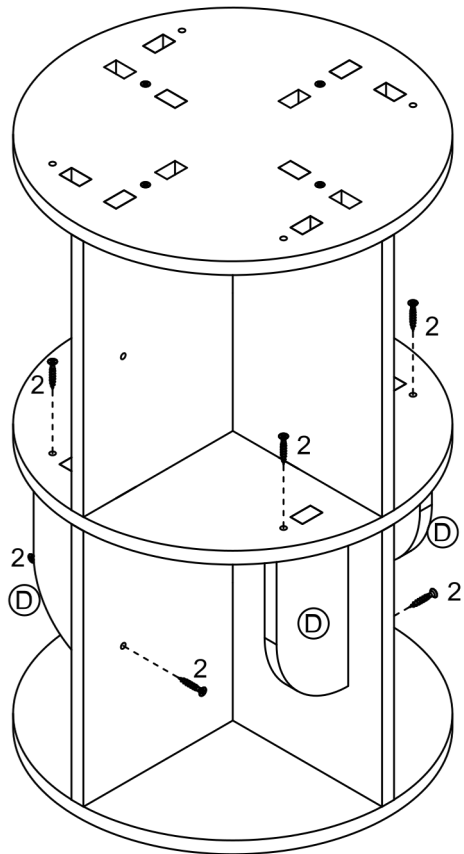


6



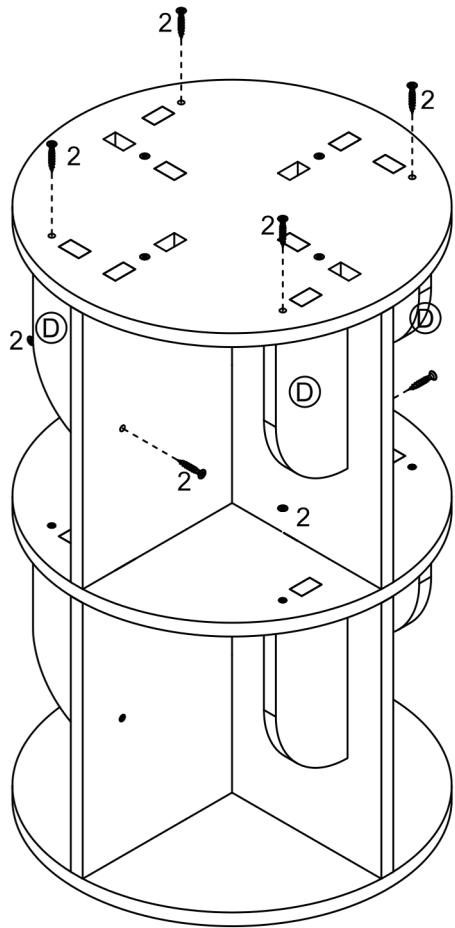
2x4pcs

7



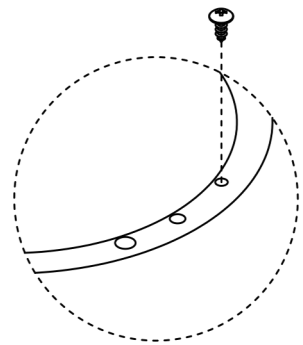
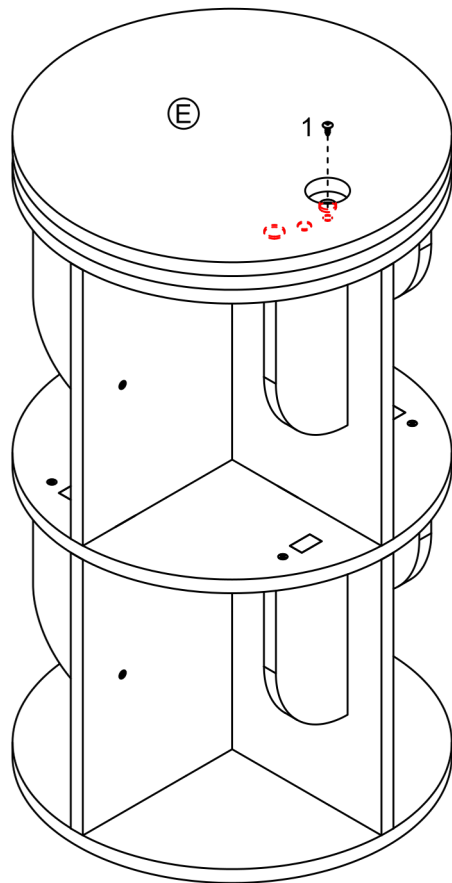
2x8pcs

8

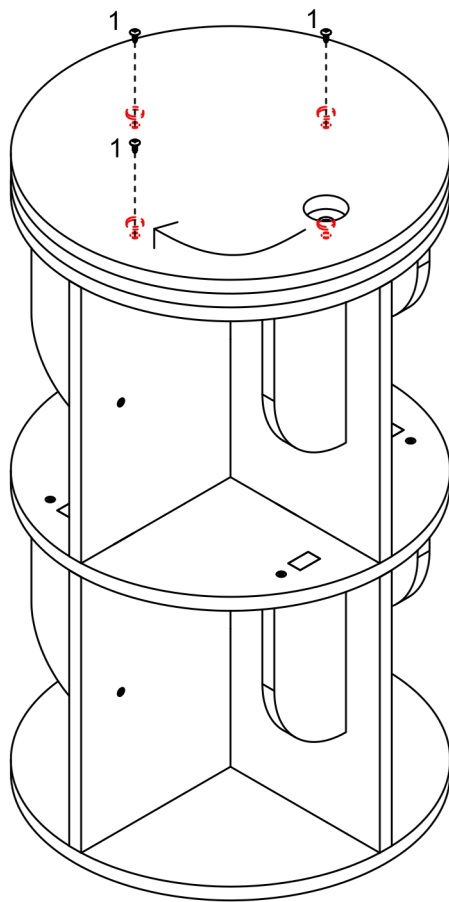


2x8pcs

9



10



1x4pcs

11

